

P17W Series Gauge Pressure Switches

The P17W series offers highly accurate and repeatable switching for monitor/control and alarm/shut down protection. These units, designed specifically for use with high purity gas or liquid applications, are used to measure gauge pressure (above atmosphere).



Features

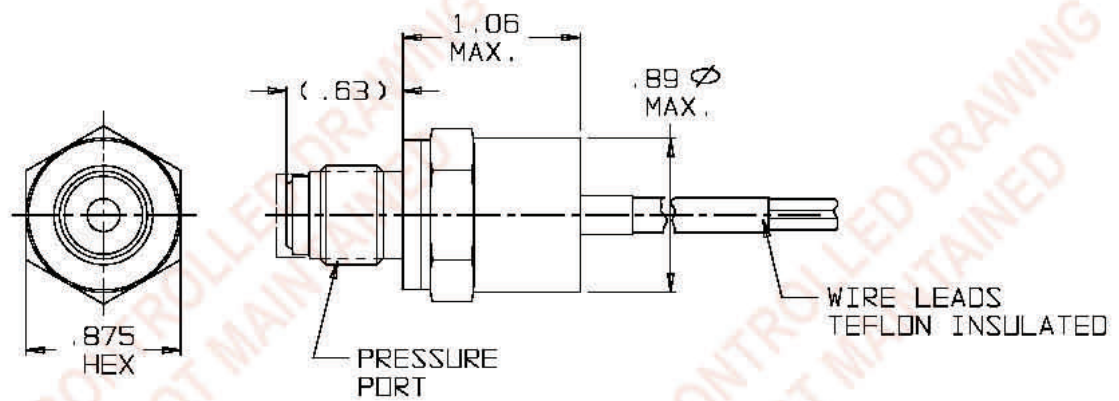
- Tamper proof (factory) setting
- Wetted material in VIM-VAR 316L, Inconel and Hastelloy C-276
- Electron-beam welded construction
- Negative-rate belleville spring design for longer life, accuracy and repeatability

Specifications

Medium	Gas or Liquid
Type	Factory Set
Available Settings	20 to 100 psig
Actuation Value	4.0 psi + 7% of Setting
Repeatability	± 1.5 psi + 4% of Setting
*Internal Volume	0.46 CC
**Proof Pressure	0 psia - 300 psig
Operating Temp. Range	0° to 130° F (-18°C to 55°C)
Finish	10 or 5 Ra
Wetted Materials	316L VIM/VAR or Hastelloy
Media Connections	1/4" end seal type 1/4" flow thru-end seal type 1.125"/1.5 "C" Seal 1.125"/1.5 "W" Seal
Electrical Connections	Free Leads or Crimp Type Connectors
Min. Operating Life	500,000 cycles
Approvals	UL, CE
Warranty	36 Months
*With 1/4" male end seal type	
**Higher proof pressure available	

P17W Series Gauge Pressure Switches

Dimensional Drawings



P17W SERIES